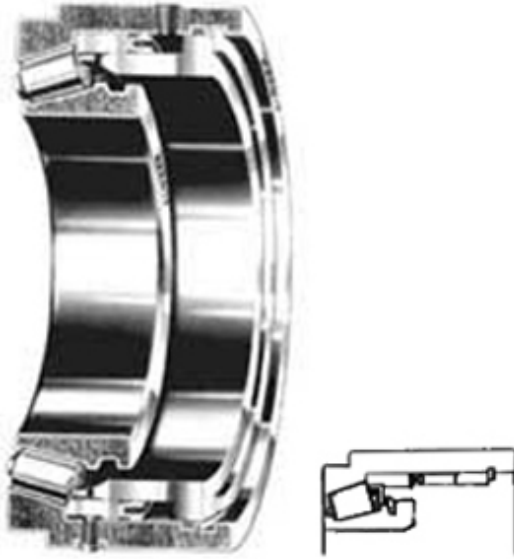




# HUB CITY BEARING CORP

## TIMKEN JP17049P-90CA1 Tapered Roller Bearing Assemblies



JP17049P-90CA1 Bearing 2D drawings and 3D CAD models

Bearing No. JP17049P-90CA1

Category	Tapered Roller Bearing Assemblies
Inventory	0.0
Manufacturer Name	TIMKEN
Minimum Buy Quantity	N/A
Weight	9.94
EAN	0053893192550
Product Group	B04336
Precision Class	Standard
Component	Assembly
Basic Number	JP17049
Assembly Number	90CA1
Assembly Components	JP17049P (1)   JP17019HR (1)   K121867R (1)   K121865 (1)   K121868 (1)   K121869 (1)   K121870 (1)   K147804 (1)   K518787 (2)
Number of Tapered Rows	Single Row
Inch - Metric	Metric
Other Features	1 Single Cone   1 Single Cup   Hydra-Rib Bearing   Puller Groove
Long Description	Assembly; Standard Precision; Components JP17049P (1)   JP17019HR (1)   K121867R (1)   K121865 (1)   K121868 (1)   K121869 (1)   K121870 (1)   K147804 (1)   K518787 (2); 170MM Bore; 240MM



## HUB CITY BEARING CORP

	Outside Diame
Category	Tapered Roller Bearings Assembly
UNSPSC	31171516
Harmonized Tariff Code	8482.20.00.00
Noun	Bearing
Keyword String	Tapered
Manufacturer URL	<a href="http://www.timken.com">http://www.timken.com</a>
Manufacturer Item Number	JP17049P-90CA1
Weight / LBS	21.884
D	9.449 Inch   240 Millimeter
Flange Outside Diameter	9.764 Inch   248 Millimeter
Assembly Width	1.181 Inch   30 Millimeter
d	6.693 Inch   170 Millimeter