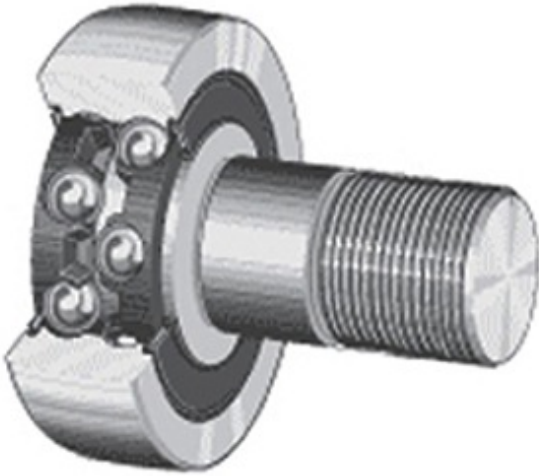




# HUB CITY BEARING CORP

## CARTER MFG. CO. PHR-100-A Cam Follower and Track Roller - Stud Type



PHR-100-A Bearing 2D drawings and 3D CAD models

Bearing No. PHR-100-A

Category	Cam Follower and Track Roller - Stud Type
Inventory	0.0
Manufacturer Name	CARTER MFG. CO.
Minimum Buy Quantity	N/A
Weight	0.03
EAN	0813930027609
Product Group	B04120
Roller Surface Profile	Flat
Profile	Stud Type
Thread Size	7/16-20
Stud Profile	Standard Stud
Enclosure	Sealed
Rolling Element	Ball Bearing - Double Row
Relubricatable	No
Hex Socket	Yes
Inch - Metric	Inch
Other Features	End Plug   Black Oxide Coating   Radial Contact Lip Seal
Long Description	1" Roller Diameter; 25/32" Roller Width; Flat Roller Surface Profile; Stud Type; 7/16" Stud Diameter; 7/16-20 Thread Size; Standard Stud; Sealed; Ball Bearing - Double Row; Not Relubric



## HUB CITY BEARING CORP

Category	Cam Followers Stud Type
UNSPSC	31171530
Harmonized Tariff Code	8482.10.50.68
Noun	Bearing
Keyword String	Cam Follower
Manufacturer URL	<a href="http://www.carterbearings.com">http://www.carterbearings.com</a>
Weight / LBS	0.065
Roller Diameter	1 Inch   25.4 Millimeter
Roller Width	0.781 Inch   19.837 Millimeter
Stud Diameter	0.438 Inch   11.125 Millimeter